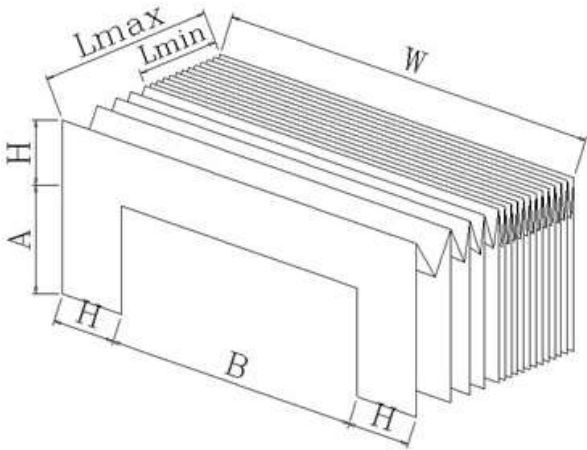


Bellows way covers specification

1. Dimension definition :



A :	Inner height
B :	Inner width
W :	Outer width
H :	Fold height
L(max) :	Max Length
L(min) :	Min Length

2. Type of Megus bellows way covers :

2-1. Bellows way covers (Flat type)

Material:

Megus bellows way covers is made of high quality synthetic cloth, nylon heat-resistant cloth and other materials according to customer specification.

Occasions:

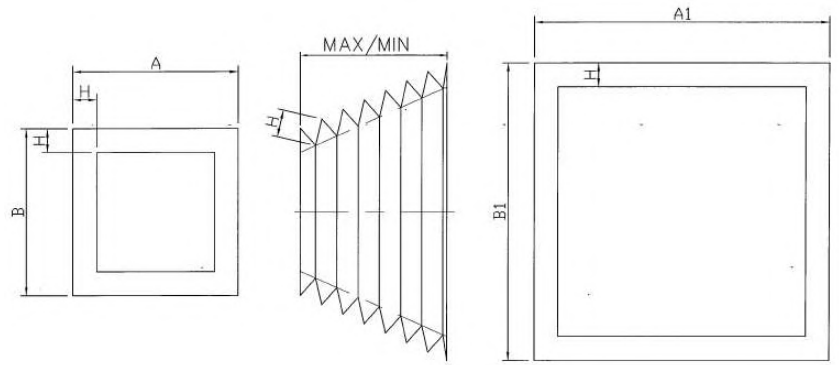
1. Oil-proof, waterproof, dust-proof, acid-proof and alkali-proof occasions are acceptable.
2. This product is suitable for installing on all kinds of machining equipment. Ex: CNC machine tools, electronic equipment and laser machine.
3. Please provide used occasions and the dimension of the bellows covers to let us provide better customer service.



Bellows way covers (Flat type)

3-6. Photography type bellows covers

3-6-1. Dimension table



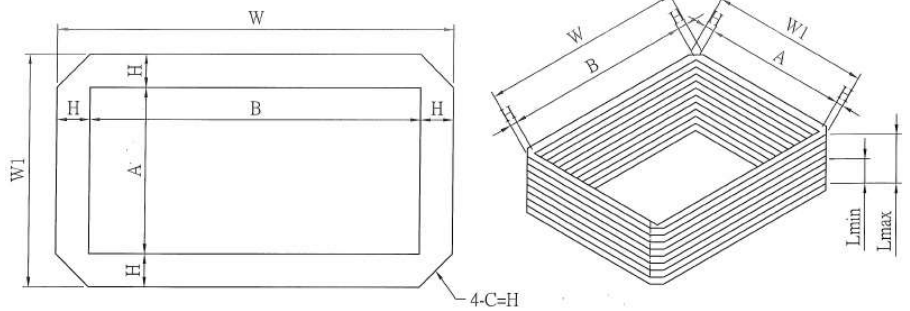
Photography type bellows covers
Product

Photography type bellows covers
Dimension

	A	B	H	A1	B1	L(min)	L(max)	QTY	Remark
Photography type bellows covers									
Used occasions	<input type="checkbox"/> Indoor <input type="checkbox"/> Outdoor <input type="checkbox"/> Acid and alkali proof <input type="checkbox"/> Heat proof <input type="checkbox"/> UV proof <input type="checkbox"/> Oil proof <input type="checkbox"/> Water proof <input type="checkbox"/> Dust proof <input type="checkbox"/> Clean room								

3-7. Lift bellows covers

3-7-1. Dimension table



Lift bellows covers
Product

Lift bellows covers
Dimension

	A	B	H	W	W1	L(min)	L(max)	QTY	Remark
Lift bellows covers									
Used occasions	<input type="checkbox"/> Indoor <input type="checkbox"/> Outdoor <input type="checkbox"/> Acid and alkali proof <input type="checkbox"/> Heat proof <input type="checkbox"/> UV proof <input type="checkbox"/> Oil proof <input type="checkbox"/> Water proof <input type="checkbox"/> Dust proof <input type="checkbox"/> Clean room								