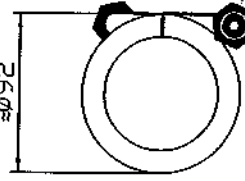
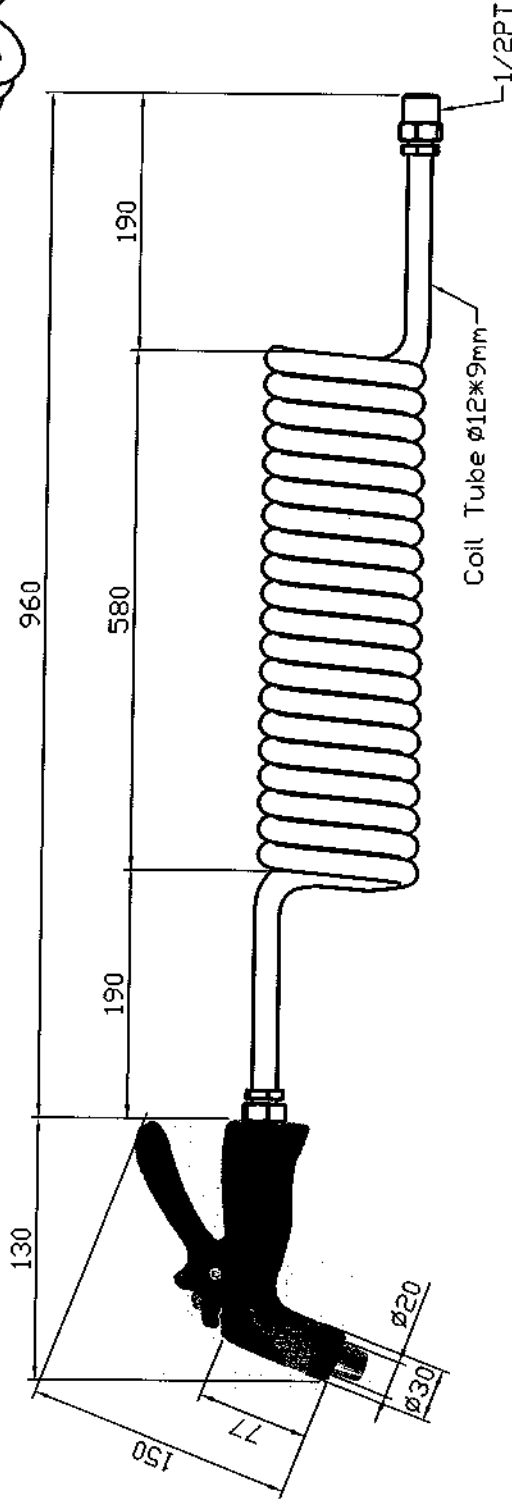
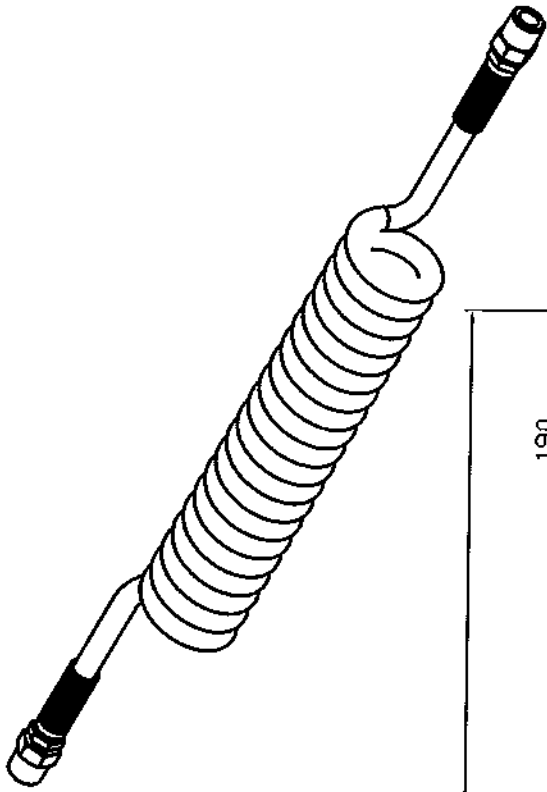

 MEGUS INTERNATIONAL CORPORATION TEL: +886-422715311 FAX: +886-422715312		Customer	Water gun set
Approve	Proofreader	Designer	Drw no. JT003
			Date 2010.04.14
			Drw no.
			Remark
鄧春蓮			
Date	Design change detail		



 MEGUS INTERNATIONAL CORPORATION TEL: +886-422715311 FAX: +886-422715312		Customer	
Approve	Proofreader	Designer	Name
			Water gun set(Extend type)
			Drw no.
			JT003-L
			Date
			2012. 11. 03
			Drw no.
			Remark

Design change detail

Date