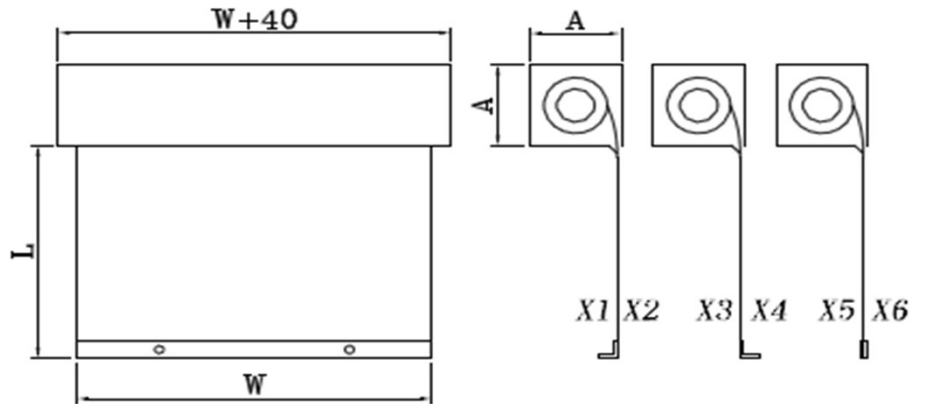




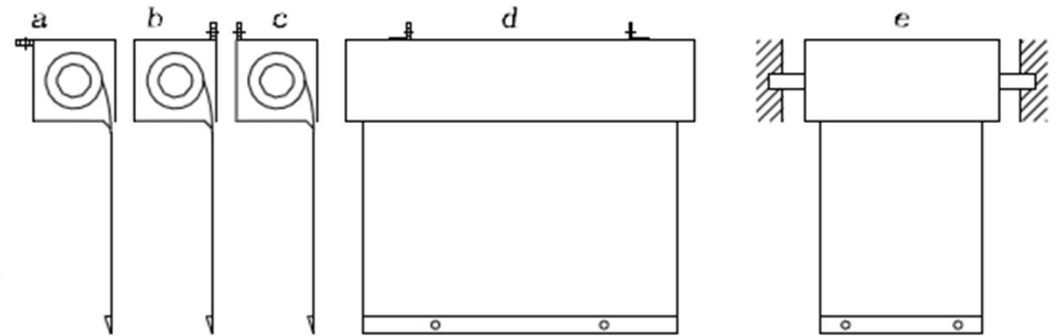
MEGUS INTERNATIONAL CO., LTD.

Roll up way cover inquiry

Item	Content	Remark
1.Roll up leather dimension	W:_____ L:_____	<Fig. 1>
2.Side of metal box	A:_____ (0 for without box)	<Fig. 1>
3.Manufacture side	<input type="checkbox"/> X1 <input type="checkbox"/> X2 <input type="checkbox"/> X3 <input type="checkbox"/> X4 <input type="checkbox"/> X5 <input type="checkbox"/> X6	<Fig. 1> ex: metal cutting, wood cutting, liquid(oil)...
4.Fix of roll up cover	<input type="checkbox"/> a <input type="checkbox"/> b <input type="checkbox"/> c <input type="checkbox"/> d_____ <input type="checkbox"/> e (without box), see <Fig. 2>	
5.Inquiry quantities	QTY:_____	
6.Please provide the drafting for detail manufacture.		



<Fig. 1>



<Fig. 2>

Company Information

1.TEL: +886-4-22715311

2.FAX: +886-4-22715312

3.E-mail: sales@megus1989.com

4.Location : No.42,Gonye 15th Rd.,Taiping Dist.,Taichung city 411,Taiw

Use Occasion :

Indoor

Outdoor

Anti-Acid

Heat resistance UV resistance

Oil proof

Water proof

Dust proof

Clean room

Others : _____